



KTA SPINDLE TOOLINGS

A Tool Holder Company

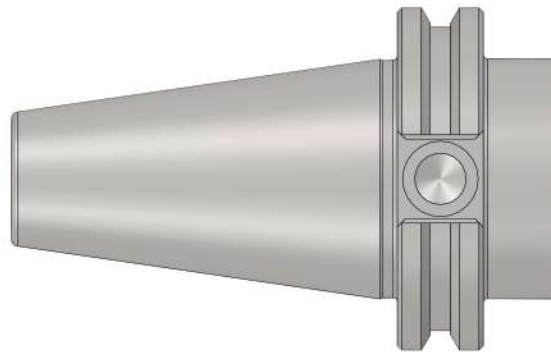
www.ktaspindletoolings.com










Check Stock @ Link
<http://119.81.67.54/CRMWebsite/ViewCurrentStockPosition.aspx>
And send enquiry to the nearest dealer.

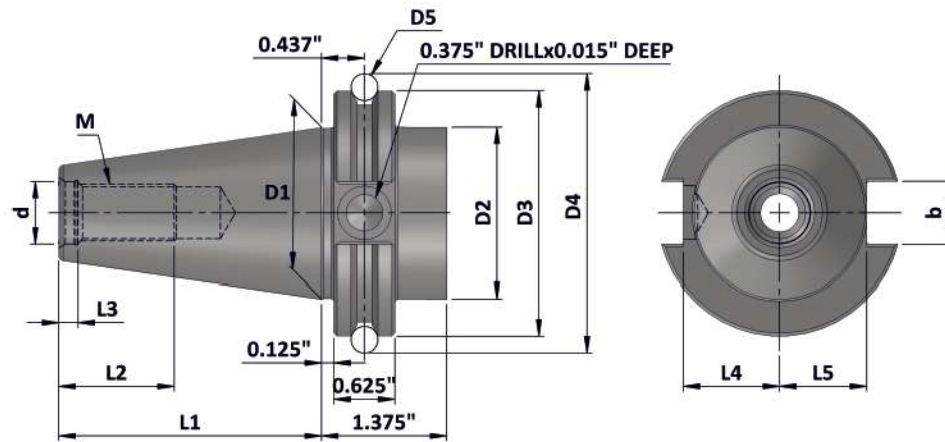
2019

Precision Tool Holders CAT (ANSI B 5.50)



INDEX

Sr. No.	Contents		Page No.
①	Technical Information: CAT (ANSI B 5.50)		193
②	Collet Chuck ER		194
③	Side Lock Adaptor (SLA)		195
④	Face Mill Holder (FMH)		196
⑤	Morse Taper Adaptor (MTA)		197
⑥	NC Drill Chuck (NCDC)		198
⑦	Minimum Length Compensation Tapping Chuck (MLC)		199
⑧	Quick Change Tapping Chuck (KWFLK)		200



CAT	d	D1	D2	D3	D4	D5	b	M UNC 2B	L1	L2	L3	L4	L5
40	0.641"	1.750"	1.750"	2.500"	2.863"	0.2813"	0.645"	5/8" - 11"	2.687"	1.12"	0.188"	0.985"	0.890"

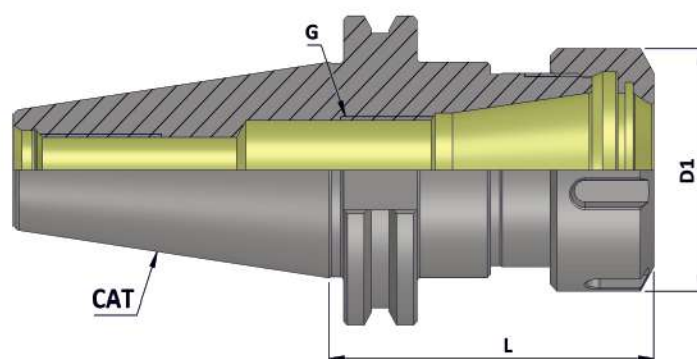
50	1.031"	2.750"	2.750"	3.875"	4.238"	0.2813"	1.020"	1" - 8"	4.000"	1.75"	0.250"	1.485"	1.390"
----	--------	--------	--------	--------	--------	---------	--------	---------	--------	-------	--------	--------	--------

Material :- Case hardened steel, tensile strength in the core min. 950 N/mm²

Execution :- Case hardened to HRC 58 ± 2, Case Depth 0.8 mm., Silver finish.

Accuracy :- 7:24 Taper Angle Class AT 3 As per DIN 2080

Maximum Run out of the Internal Taper with respect to the External Taper 0.005 mm

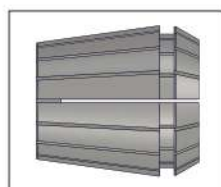

 CAT (ANSI B 5.50)
Holders

CAT (ANSI B 5.50) COLLET CHUCK (ER)

(Balanced to 6.3 G 15000 RPM)

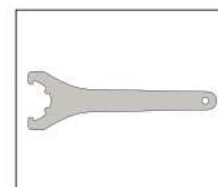
Item Name	Item Code	CAT	Suitable Collet	Collet Capacity	D1	G	L	Nut	Spanner
CAT40 ER 16 070 6.3G15000 SL	K10203149125122	40	ER 16	0.0156"-0.375"	32	M10X1	70	UM/ER16	E16
CAT40 ER 16 100 6.3G15000 SL	K10203149148122	40	ER 16	0.0156"-0.375"	32	M10X1	100	UM/ER16	E16
CAT40 ER 16 160 6.3G15000 SL	K10203149175122	40	ER 16	0.0156"-0.375"	32	M10X1	160	UM/ER16	E16
CAT40 ER 20 070 6.3G15000 SL	K10203150125122	40	ER 20	0.0625"-0.5"	35	M10X1	70	UM/ER20	E20
CAT40 ER 20 100 6.3G15000 SL	K10203150148122	40	ER 20	0.0625"-0.5"	35	M10X1	100	UM/ER20	E20
CAT40 ER 20 160 6.3G15000 SL	K10203150175122	40	ER 20	0.0625"-0.5"	35	M10X1	160	UM/ER20	E20
CAT40 ER 25 070 6.3G15000 SL	K10203151125122	40	ER 25	0.0625"-0.625"	42	M18X1	70	UM/ER25	E25
CAT40 ER 25 100 6.3G15000 SL	K10203151148122	40	ER 25	0.0625"-0.625"	42	M18X1	100	UM/ER25	E25
CAT40 ER 25 160 6.3G15000 SL	K10203151175122	40	ER 25	0.0625"-0.625"	42	M18X1	160	UM/ER25	E25
CAT40 ER 32 070 6.3G15000 SL	K10203152125122	40	ER 32	0.125"-0.75"	50	M22X1.5	70	UM/ER32	E32
CAT40 ER 32 100 6.3G15000 SL	K10203152148122	40	ER 32	0.125"-0.75"	50	M22X1.5	100	UM/ER32	E32
CAT40 ER 32 160 6.3G15000 SL	K10203152175122	40	ER 32	0.125"-0.75"	50	M22X1.5	160	UM/ER32	E32
CAT40 ER 40 070 6.3G15000 SL	K10203153125122	40	ER 40	0.125"-1.00"	63	M30X1.5	70	UM/ER40	E40
CAT40 ER 40 100 6.3G15000 SL	K10203153148122	40	ER 40	0.125"-1.00"	63	M30X1.5	100	UM/ER40	E40
CAT40 ER 40 160 6.3G15000 SL	K10203153175122	40	ER 40	0.125"-1.00"	63	M30X1.5	160	UM/ER40	E40

CAT50 ER 25 070 6.3G15000 SL	K10204151125122	50	ER 25	0.0625"-0.625"	42	M18X1	70	UM/ER25	E25
CAT50 ER 25 100 6.3G15000 SL	K10204151148122	50	ER 25	0.0625"-0.625"	42	M18X1	100	UM/ER25	E25
CAT50 ER 25 160 6.3G15000 SL	K10204151175122	50	ER 25	0.0625"-0.625"	42	M18X1	160	UM/ER25	E25
CAT50 ER 32 080 6.3G15000 SL	K10204152131122	50	ER 32	0.125"-0.75"	50	M22X1.5	80	UM/ER32	E32
CAT50 ER 32 100 6.3G15000 SL	K10204152148122	50	ER 32	0.125"-0.75"	50	M22X1.5	100	UM/ER32	E32
CAT50 ER 32 160 6.3G15000 SL	K10204152175122	50	ER 32	0.125"-0.75"	50	M22X1.5	160	UM/ER32	E32
CAT50 ER 40 080 6.3G15000 SL	K10204153131122	50	ER 40	0.125"-1.00"	63	M30X1.5	80	UM/ER40	E40
CAT50 ER 40 100 6.3G15000 SL	K10204153148122	50	ER 40	0.125"-1.00"	63	M30X1.5	100	UM/ER40	E40
CAT50 ER 40 160 6.3G15000 SL	K10204153175122	50	ER 40	0.125"-1.00"	63	M30X1.5	160	UM/ER40	E40
CAT50 ER 50 100 6.3G15000 SL	K10204154148122	50	ER 50	0.25"-1.25"	78	M16X2	100	UM/ER50	E50
CAT50 ER 50 160 6.3G15000 SL	K10204154175122	50	ER 50	0.25"-1.25"	78	M16X2	160	UM/ER50	E50

Accessories:

 Collet ER (DIN 6499)
Ref. Page No. 233-237

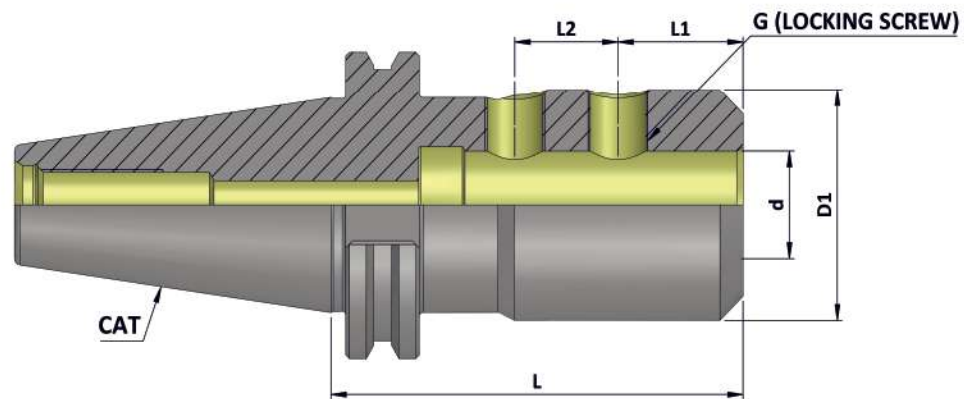
 Tap Collet ER-G
Ref. Page No. 238-240

 Q.C.Tap Collet (QCTC)
Ref. Page No. 243-251

 ER Nut
Ref. Page No.220 - 221

 ER Spanner
Ref. Page No. 222

Note: All Dimensions are in mm

Maximum Run out of the Internal Dia with respect to the External Taper 0.005 mm


 CAT (ANSI B 5.50)
Holders

CAT (ANSI B 5.50) (SLA)
(Balanced to 6.3 G 15000 RPM)

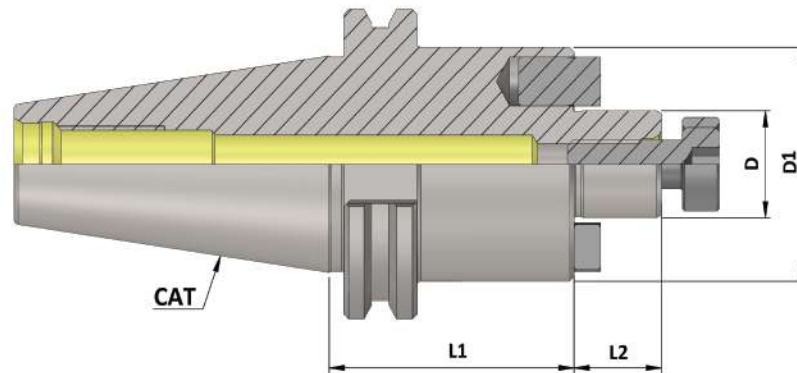
Item Name	Item Code	CAT	d	D1	L	L1	L2	G	Screw Qty.
CAT40 SLA DIA 1/8" - 2 3/8" AD/6.3G15000 SL	K10225411301110	40	1/8"	0.69"	2.375"	0.370"	-	6-32UNCX1/4"	1
CAT40 SLA DIA 3/16" - 2 1/2" AD/6.3G15000 SL	K10225412301110	40	3/16"	0.69"	2.50"	0.562"	-	8-32UNCX1/4"	1
CAT40 SLA DIA 1/4" - 2 1/2" AD/6.3G15000 SL	K10225413301122	40	1/4"	0.78"	2.50"	0.630"	-	1/4"-28UNFX1/4"	1
CAT40 SLA DIA 5/16" - 2 1/2" AD/6.3G15000 SL	K10225422301122	40	5/16"	0.88"	2.50"	0.630"	-	5/16"-24UNFX1/4"	1
CAT40 SLA DIA 3/8" - 2 1/2" AD/6.3G15000 SL	K10225415301122	40	3/8"	1.0"	2.50"	0.750"	-	3/8"-24UNFX5/16"	1
CAT40 SLA DIA 7/16" - 3.00" AD/6.3G15000 SL	K10225416301122	40	7/16"	1.25"	3.0"	0.875"	-	3/8"-24UNFX3/8"	1
CAT40 SLA DIA 1/2" - 3.00" AD/6.3G15000 SL	K10225417301122	40	1/2"	1.25"	3.0"	0.875"	-	7/16"-20UNFX3/8"	1
CAT40 SLA DIA 5/8" - 3.00" AD/6.3G15000 SL	K10225418301122	40	5/8"	1.50"	3.0"	0.937"	-	1/2"-20UNFX7/16"	1
CAT40 SLA DIA 3/4" - 3.00" AD/6.3G15000 SL	K10225419301122	40	3/4"	1.75"	3.0"	1.00"	-	5/8"-18UNFX1/2"	1
CAT40 SLA DIA 7/8" - 3 1/2" AD/6.3G15000 SL	K10225420301122	40	7/8"	1.88"	3.5"	1.063"	0.875"	5/8"-18UNFX1/2"	2
CAT40 SLA DIA 1.0" - 4.00" AD/6.3G15000 SL	K10225406301122	40	1.0"	2.0"	4.0"	1.125"	1.00"	3/4"-16UNFX1/2"	2
CAT40 SLA DIA 1 1/4" - 4.00"AD/6.3G15000 SL	K10225514301110	40	1 1/4"	2.5"	4.0"	1.125"	1.00"	3/4"-16UNFX1/2"	2
CAT40 SLA DIA 1 1/2" - 4 1/2"AD/6.3G15000 SL	K10225421301122	40	1 1/2"	2.5"	4.5"	1.125"	1.00"	3/4"-16UNFX1/2"	2

CAT50 SLA DIA 1/4" - 2 1/2" AD/6.3G15000 SL	K10226413301122	50	1/4"	0.78"	2.50"	0.630"	-	1/4"-28UNFX1/4"	1
CAT50 SLA DIA 5/16" - 2 1/2" AD/6.3G15000 SL	K10226422301122	50	5/16"	0.88"	2.50"	0.630"	-	5/16"-24UNFX1/4"	1
CAT50 SLA DIA 3/8" - 2 1/2" AD/6.3G15000 SL	K10226415301122	50	3/8"	1.0"	2.50"	0.750"	-	3/8"-24UNFX5/16"	1
CAT50 SLA DIA 7/16" - 3.00" AD/6.3G15000 SL	K10226416301122	50	7/16"	1.25"	3.0"	0.875"	-	3/8"-24UNFX3/8"	1
CAT50 SLA DIA 1/2" - 3.00" AD/6.3G15000 SL	K10226417301122	50	1/2"	1.25"	3.0"	0.875"	-	7/16"-20UNFX3/8"	1
CAT50 SLA DIA 5/8" - 3.00" AD/6.3G15000 SL	K10226418301122	50	5/8"	1.50"	3.0"	0.937"	-	1/2"-20UNFX7/16"	1
CAT50 SLA DIA 3/4" - 3.00" AD/6.3G15000 SL	K10226419301122	50	3/4"	1.75"	3.0"	1.00"	-	5/8"-18UNFX1/2"	1
CAT50 SLA DIA 7/8" - 4.00" AD/6.3G15000 SL	K10226424301110	50	7/8"	1.88"	4.0"	1.063"	0.875"	5/8"-18UNFX1/2"	2
CAT50 SLA DIA 1.0" - 4.00" AD/6.3G15000 SL	K10226406301122	50	1.0"	2.0"	4.0"	1.125"	1.00"	3/4"-16UNFX1/2"	2
CAT50 SLA DIA 1 1/4" - 4.00" AD/6.3G15000 SL	K10226408301122	50	1 1/4"	2.5"	4.0"	1.125"	1.00"	3/4"-16UNFX1/2"	2
CAT50 SLA DIA 1 1/2" - 4 1/2" AD/6.3G15000 SL	K10226421301110	50	1 1/2"	2.5"	4.5"	1.125"	1.00"	3/4"-16UNFX1/2"	2

Note: All Dimensions are in mm

Maximum Run out of the External Dia with respect to the External Taper 0.005 mm

CAT (ANSI B 5.50)
Holders



CAT (ANSI B 5.50) (FMH)

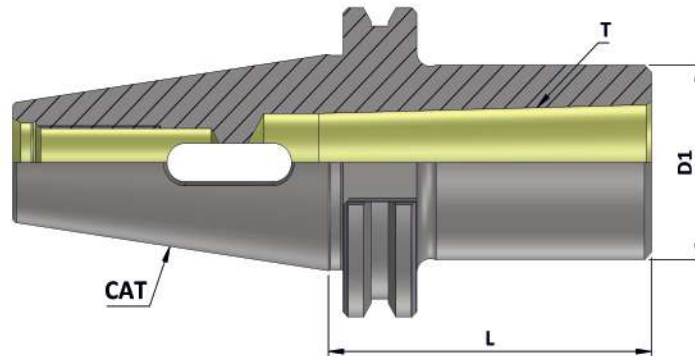
(Balanced to 6.3 G 15000 RPM)

Item Name	Item Code	CAT	D	D1	L1	L2
CAT40 FMH DIA 3/4" - 1 3/4" AD/6.3G15000 SL	K10223403301122	40	3/4"	2.0"	1.75"	0.687"
CAT40 FMH DIA 1.0" - 2.00" AD/6.3G15000 SL	K10223405301110	40	1.0"	2.375"	2.0"	0.687"
CAT40 FMH DIA 1 1/4" - 2.0" AD/6.3G15000 SL	K10223407301122	40	1 1/4"	2.875"	2.0"	0.687"
CAT40 FMH DIA 1 1/2" - 2.0" AD/6.3G15000 SL	K10223506301110	40	1 1/2"	3.75"	2.0"	0.938"

CAT50 FMH DIA 3/4" - 1 3/4" AD/6.3G15000 SL	K10224403301110	50	3/4"	2.0"	1.75"	0.687"
CAT50 FMH DIA 1.0" - 2.00" AD/6.3G15000 SL	K10224405301122	50	1.0"	2.375"	2.0"	0.687"
CAT50 FMH DIA 1 1/4" - 2.0" AD/6.3G15000 SL	K10224407301122	50	1 1/4"	2.875"	2.0"	0.687"
CAT50 FMH DIA 1 1/2" - 2.0" AD/6.3G15000 SL	K10224409301110	50	1 1/2"	3.75"	2.0"	0.938"

Note: All Dimensions are in mm

Maximum Run out of the Internal Taper with respect to the External Taper 0.005 mm



CAT (ANSI B 5.50)
Holders

CAT (ANSI B 5.50) (MTA)

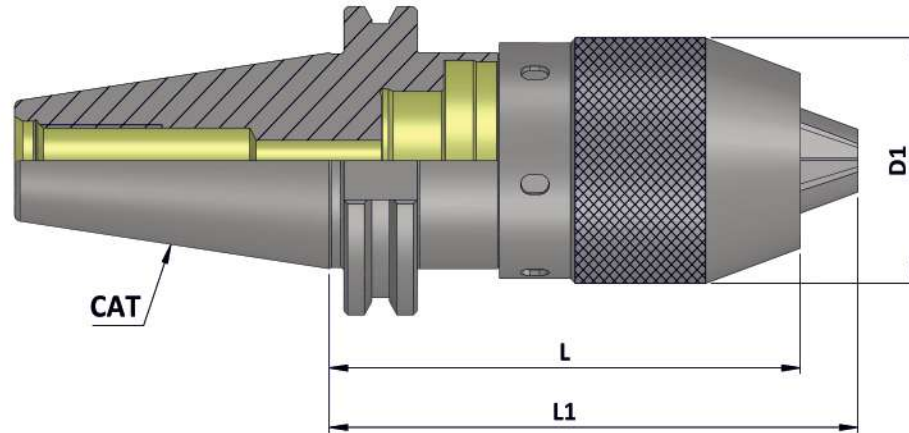
(Balanced to 6.3 G 15000 RPM)

Item Name	Item Code	CAT	Morse Taper (T)	D1	L
CAT40 MT01 - 2.00" 6.3G15000 SL	K10227426301122	40	1	1.0"	2.0"
CAT40 MT02 - 2.00" 6.3G15000 SL	K10228426301122	40	2	1.25"	2.0"
CAT40 MT03 - 2 3/4" 6.3G15000 SL	K10229427301122	40	3	1.574"	2.75"
CAT40 MT04 - 3 3/4" 6.3G15000 SL	K10230428301122	40	4	1.889"	3.75"
CAT50 MT01 - 2.00" 6.3G15000 SL	K10231426301122	50	1	1.0"	2.0"
CAT50 MT02 - 2 3/8" 6.3G15000 SL	K10204448301212	50	2	1.25"	2.375"
CAT50 MT03 - 2 1/2" 6.3G15000 SL	K10233430301122	50	3	1.574"	2.5"
CAT50 MT04 - 3 3/4" 6.3G15000 SL	K10234428301122	50	4	1.889"	3.75"
CAT50 MT05 - 4 3/4" 6.3G15000 SL	K10240431301122	50	5	2.48"	4.75"

Note: All Dimensions are in mm

Maximum Run out on the Mandrell with respect to the External Taper 0.050 mm

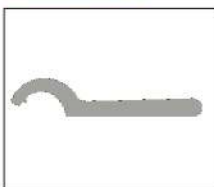
CAT (ANSI B 5.50)
Holders



CAT (ANSI B 5.50) (NCDC)

Item Name	Item Code	CAT	D1	L	L1
CAT40 NCDC 1-13 - 4.0"	K10203425301127	40	1.969"	4.0"	4.5"
CAT50 NCDC 1-13 - 4.0"	K10204425301127	50	1.969"	4.0"	4.5"

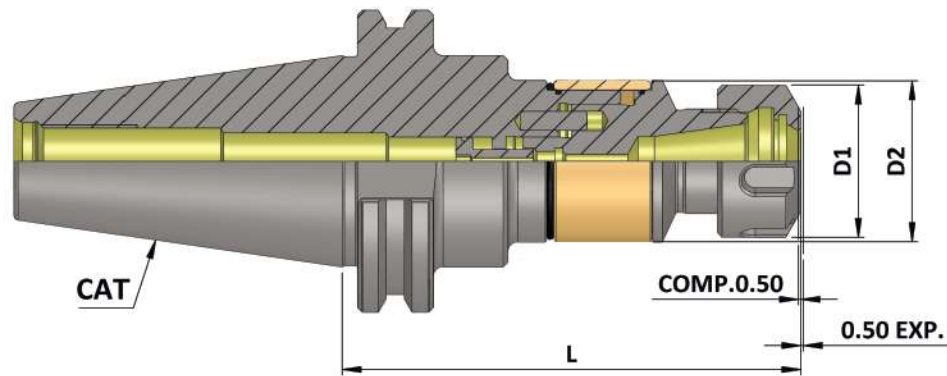
Accessories:



NCDC Spanner
Ref. Page No. 223

Note: All Dimensions are in mm

Maximum Run out of the Internal Taper with respect to the External Taper 0.020 mm



CAT (ANSI B 5.50)
 Holders

CAT (ANSI B 5.50) (MLC)

Item Name	Item Code	CAT	Capacity	Clamping Range	Nut Size	D1	D2	L	Comp.	Exp.
CAT40 ER 16M 095 AD+B MLC	K10203157145250	40	M3 - M12	1 - 10	ER 16M	22	34	95	0.5	0.5
CAT40 ER 16 095 AD+B MLC	K10203149145250	40	M3 - M12	1 - 10	ER 16	32	34	95	0.5	0.5
CAT40 ER 20 096 AD+B MLC	K10203150262250	40	M3 - M16	3.5 - 10	ER 20	35	34	96	0.5	0.5
CAT40 ER 25 100 AD+B MLC	K10203151148250	40	M3 - M20	3.5 - 16	ER 25	42	34	100	0.5	0.5
CAT40 ER 32 111 AD+B MLC	K10203152156250	40	M4 - M27	3.5 - 20	ER 32	50	34	111	0.5	0.5
CAT40 ER 40 136 AD+B MLC	K10203153242250	40	M6 - M33	6 - 26	ER 40	63	62	136	0.5	0.5

CAT50 ER 16M 095 AD+B MLC	K10204157548250	50	M3 - M12	1 - 10	ER 16M	22	34	95	0.5	0.5
CAT50 ER 16 095 AD+B MLC	K10204149145250	50	M3 - M12	1 - 10	ER 16	32	34	95	0.5	0.5
CAT50 ER 20 096 AD+B MLC	K10204150262250	50	M3 - M16	3.5 - 10	ER 20	35	34	96	0.5	0.5
CAT50 ER 25 100 AD+B MLC	K10204151148250	50	M3 - M20	3.5 - 16	ER 25	42	34	100	0.5	0.5
CAT50 ER 32 111 AD+B MLC	K10204152157250	50	M4 - M27	3.5 - 20	ER 32	50	45	111	0.5	0.5
CAT50 ER 40 121 AD+B MLC	K10204153240250	50	M6 - M33	6 - 26	ER 40	63	62	121	0.5	0.5

Accessories:



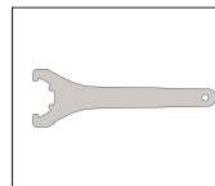
Tap Collet ER-G
 Ref. Page No. 238-240



Q.C. Tap Collet QCTC
 Ref. Page No. 243-251

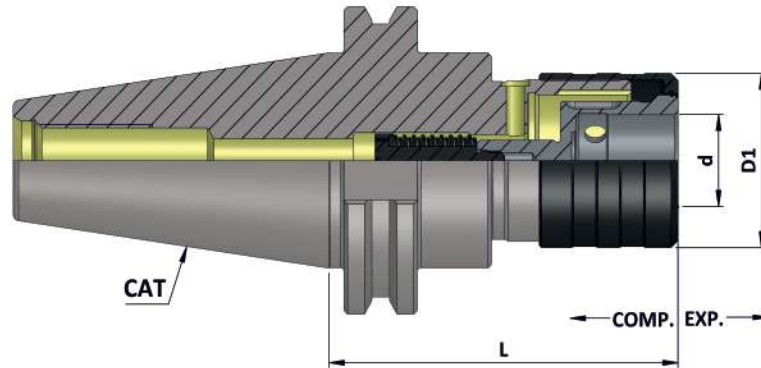


ER Nut
 Ref. Page No. 220-221



ER Spanner
 Ref. Page No. 222

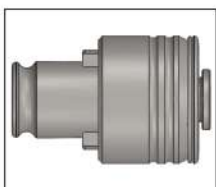
Note: All Dimensions are in mm



CAT (ANSI B 5.50) (KWFLK)

Item Name	Item Code	CAT	Capacity	Suitable Adaptor	Comp.	Exp.	d	D1	L
CAT40 KWFLK1 076	K10203169301127	40	M3 - M12	KWES1B	7.5	7.5	19	36	76
CAT40 KWFLK2 100	K10203170301127	40	M8 - M20	KWES2B	12.5	12.5	31	53	100
CAT40 KWFLK3 150	K10203171301127	40	M14 - M33	KWES3B	20	20	48	78	150
CAT50 KWFLK1 076	K10204169301127	50	M3 - M12	KWES1B	7.5	7.5	19	36	76
CAT50 KWFLK2 100	K10204170301127	50	M8 - M20	KWES2B	12.5	12.5	31	53	100
CAT50 KWFLK3 140	K10204171301127	50	M14 - M33	KWES3B	20	20	48	78	140
CAT50 KWFLK4 152	K10204172301127	50	M22 - M48	KWES4B	22.5	22.5	60	96	152

Accessories:



Tap Adaptor KWES..B & KWESK..B
 Ref. Page No. 260-279



Tap Adaptor
 Reduction Socket KWRE
 Ref. Page No. 280

Note: • All Dimensions are in mm
 • For Tap Shank Dimension & Recommended Torque Values Ref. Page No. 281-284